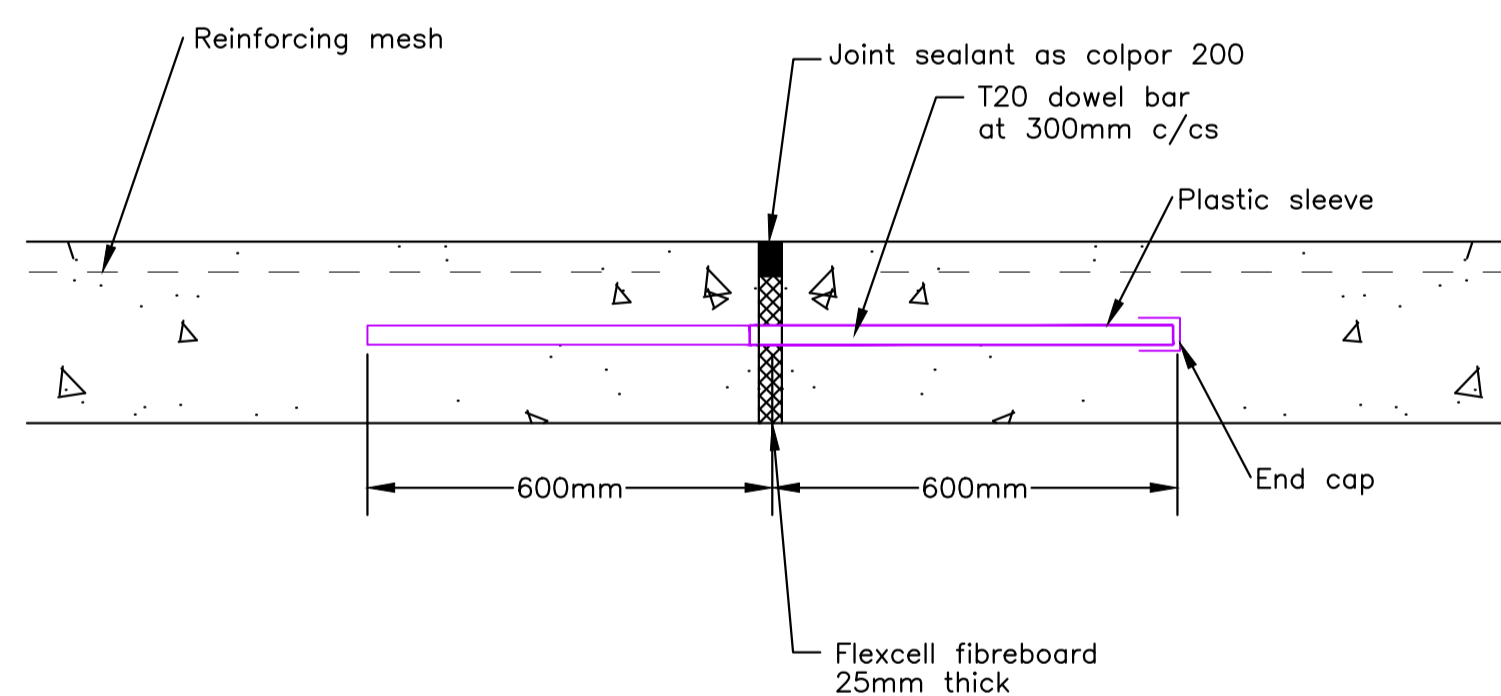
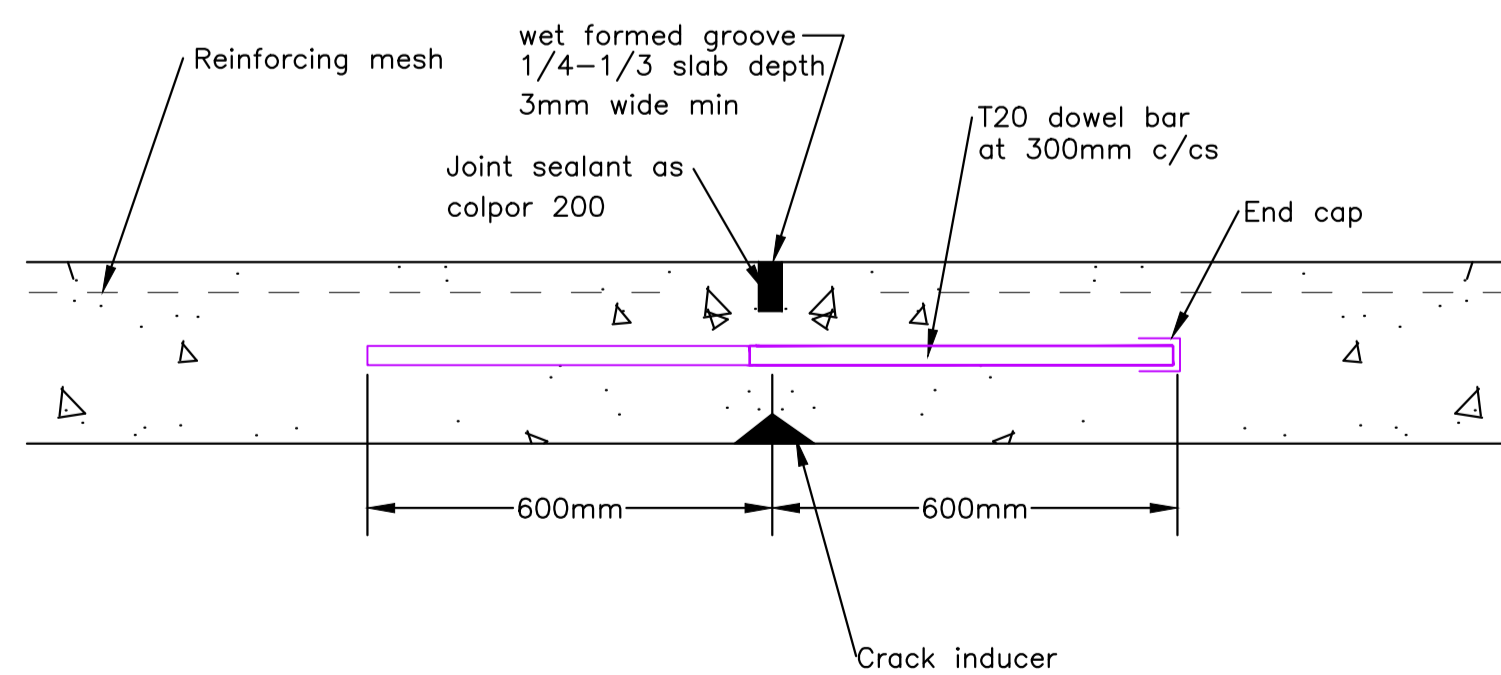


Joint Notes:-

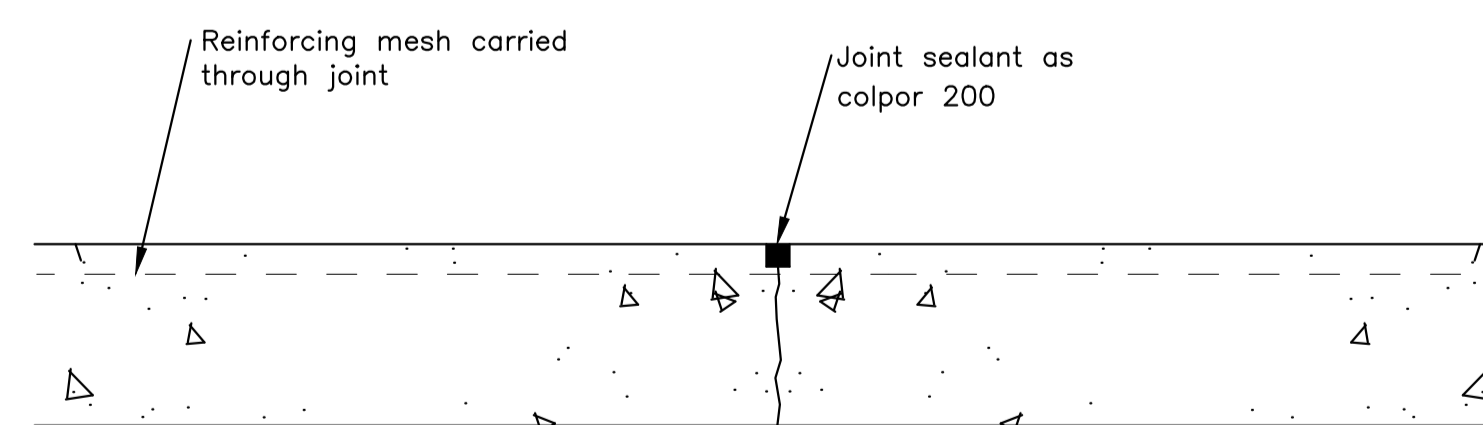
- 100mm trowelled finish to be provided along all joints
- Cover to slab/joint reinforcement to be 60mm min.



Expansion Joint



Contraction Joint



Longitudinal Joint

Revision	Description	Date
A	Minor amendments	May 12
Job		
ringhaddy cruising club		
Client		
Proposed Extension to Ringhaddy Cruising Club Car Park		
Drawing		
Details of Car Park Extension		
Scale	Drawn	
1:20 or as shown	MC	
Drawing No. 12-029-A2		

**Lisbane Consultants**  
Consulting Civil & Traffic Engineers  
Banbridge Enterprise Centre, Scarva Road, Banbridge  
Tel. 028 40662527 Fax. 028 40662527  
email lisbane@tiscall.co.uk